

# Fostex®

FULL RANGE SPEAKER UNIT

# FE166E

## Features

- 'ES cone' paper made of banana plant's fiber
- $\varnothing$  110mm large ferrite magnet
- Newly designed center cap



## Specifications

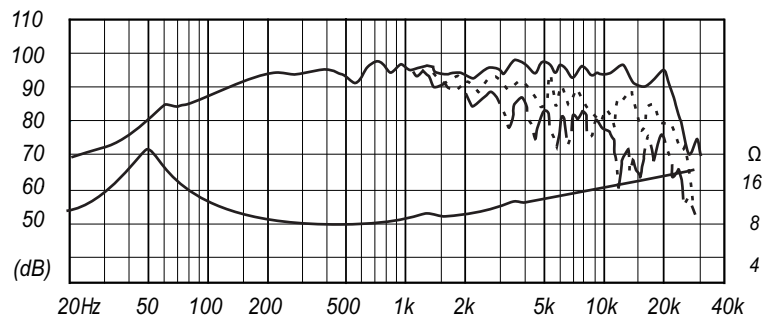
&

### Thiele/Small Parameters

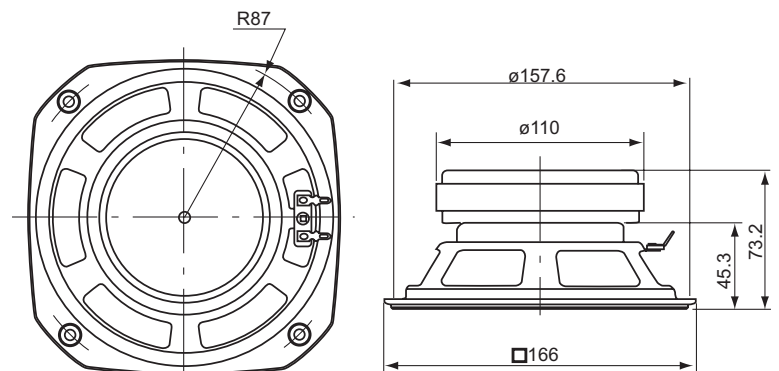
Size	:	160 mm / 6 in
Voice Coil Diameter	:	25 mm / 1 in
Cast / Stamped	:	Stamped
Impedance	:	8 $\Omega$
Min. Frequency Response	:	50 Hz
Production Frequency Response	:	f0 - 22 kHz
Sound Pressure Level	:	94 dB/W(m)
Rated Input	:	22 W
Music Power	:	65 W
Magnet Material	:	Ferrite
Magnet Weight	:	
(main)	:	600.0 g / 1.323 lb
(cancel)	:	n/a g / n/a lb
Net Weight	:	1,600 g / 3,527 lb

a	:	65 mm
D	:	130 mm
Sd	:	0.01327 m <sup>2</sup>
Zn	:	8 $\Omega$
Fs	:	50 Hz
Re	:	7.10 $\Omega$
Le	:	n/amH
Qms	:	3.89
Qes	:	0.22
Qts	:	0.21
Mms	:	6.85 g
BL	:	8.33 Telsa/m
Vas	:	45.11 L
Xmax	:	0.6 mm
Eff/ $\eta$ 0	:	1.83 W%
Cms	:	0.0018 mm/N

## Frequency Response / Impedance



## Dimensions & Mounting Information



Overall Diameter	:	166 mm / 7 in
Baffle Hole Diameter	:	110 mm / 4.3 in
Depth	:	73.2 mm / 3 in